

# Solid-state Contactors

## SS series

### General use

#### Solid-state contactors

##### General use

#### ■ Description

Solid-state contactors (SSC) are required in cases where contacts must have long life because contacts are frequently made and broken, and where contactor noise must be eliminated. Single- and 3-pole solid-state contactors incorporate thyristors as making and breaking elements in the main circuit.

#### ■ Features

##### ● Operation indicator provided

An operation indicator LED (red) is provided as a standard feature for all models, so you can easily check whether a control voltage is applied to the SSC.

##### ● Long service life, optimum for highly frequent switching

The solid-state contactor utilizes high-performance semiconductor switch elements to include the functions and features of conventional magnetic contactors. The SSC, featuring long life, low-noise, and high-speed response, is suitable for highly frequent switching of various types of loads, such as motors and heaters.

#### ■ Specifications

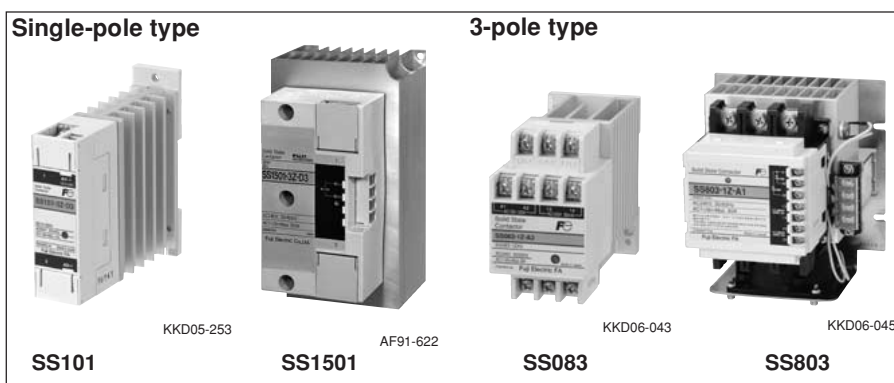
##### Single-pole types

##### ● Main circuit 240V AC, SS101 to SS501

##### AC control voltage

Type	SS101-5Z-A3 SS101-5Z-A4	SS201-5Z-A3 SS201-5Z-A4	SS301-5Z-A3 SS301-5Z-A4	SS401-5Z-A3 SS401-5Z-A4	SS501-5Z-A3 SS501-5Z-A4
Ordering code	SS101-5ZA3 SS101-5ZA4	SS201-5ZA3 SS201-5ZA4	SS301-5ZA3 SS301-5ZA4	SS401-5ZA3 SS401-5ZA4	SS501-5ZA3 SS501-5ZA4
Main circuit	Rated voltage				
	100 — 240V AC 50/60Hz				
	Rated thermal current (A)*				
	10	20	30	40	50
Max. heater capacity (kW) Single phase 200V AC	2				
	4	6	8	10	
Number of elements					
Single-pole, 1-element					
Control circuit	Isolation method				
	Photocoupler				
	Control voltage Vn				
	A3: 100 — 120V AC, A4: 200 — 240V AC				
	Pick-up voltage				
85% Vn or less					
Drop-out voltage					
35% Vn and over					
Operating time (at 100% Vn)					
30ms or less					
Release time (at 100% Vn)					
30ms or less					
Auxiliary circuit					
—					

Note: \* The values are the maximum ratings of type with cooling fin that apply at an ambient temperature not exceeding 40°C.



##### ● Built-in surge suppressor

Varistors and C-R circuits are included so that surge voltage due to SSC switching and lightning can be suppressed to protect the control and main circuits.

##### ● AC and DC operation

The AC and DC operated type SSCs are available, either of which can be selected as required.

##### ● SSC with zero-cross switching function

The SSC is also available with a zero-cross switching function to enable load current switching at the point where the line voltage is near zero to suppress excessive inrush current in the load circuit.

##### ● Built-in auxiliary contact

An auxiliary contact module using semiconductor switches or relay contacts is included. Therefore an auxiliary output signal can easily be obtained without using a separate auxiliary devices.

#### ■ Standards



■ **Specifications**

**Single-pole types**

● **Main circuit 240V AC, SS701 to SS2001**

**AC control voltage**

Type	SS701-1Z-A3 SS701-1Z-A4	SS1001-1Z-A3 SS1001-1Z-A4	SS1501-1Z-A3 SS1501-1Z-A4	SS2001-1Z-A3 SS2001-1Z-A4
Ordering code	SS701-1ZA3 SS701-1ZA4	SS1A1-1ZA3 SS1A1-1ZA4	SS1F1-1ZA3 SS1F1-1ZA4	SS2A1-1ZA3 SS2A1-1ZA4
Main circuit	Rated voltage			
	100 — 240V AC 50/60Hz			
	Rated thermal current (A)*	70	100	150
	Max. heater capacity (kW) Single phase 200V AC	14	20	30
Control circuit	Number of elements			
	Single-pole, 1-element			
	Isolation method			
	Photocoupler			
	Control voltage Vn			
A3: 100 — 120V AC, A4: 200 — 240V AC				
Pick-up voltage				
85% Vn or less				
Drop-out voltage				
35% Vn and over				
Operating time (at 100% Vn)				
30ms or less				
Release time (at 100% Vn)				
30ms or less				
Auxiliary circuit	Output			
	Thyristor 1NO			
Rated current and voltage				
A3: 50mA, 120V AC A4: 50mA, 240V AC				

Note: \* The values are the maximum ratings of type with cooling fin that apply at an ambient temperature not exceeding 40°C.

● **Main circuit 240V AC, SS101 to SS2001**

**DC control voltage**

Type	SS101-3Z-D3	SS201-3Z-D3	SS301-3Z-D3	SS401-3Z-D3	SS501-3Z-D3
Ordering code	SS101-3ZD3	SS201-3ZD3	SS301-3ZD3	SS401-3ZD3	SS501-3ZD3
Main circuit	Rated voltage				
	100 — 240V AC 50/60Hz				
	Rated thermal current (A)*	10	20	30	40
	Max. heater capacity (kW) Single phase 200V AC	2	4	6	8
Control circuit	Number of elements				
	Single-pole, 1-element				
	Isolation method				
	Photocoupler				
	Control voltage Vn				
5 — 24V DC					
Pick-up voltage					
3.5V or less					
Drop-out voltage					
1V and over					
Operating time (at 100% Vn)					
15ms or less					
Release time (at 100% Vn)					
15ms or less					
Auxiliary circuit	—				

Type	SS701-3Z-D3	SS1001-3Z-D3	SS1501-3Z-D3	SS2001-3Z-D3
Ordering code	SS701-3ZD3	SS1A1-3ZD3	SS1F1-3ZD3	SS2A1-3ZD3
Main circuit	Rated voltage			
	100 — 240V AC 50/60Hz			
	Rated thermal current (A)*	70	100	150
	Max. heater capacity (kW) Single phase 200V AC	14	20	30
Control circuit	Number of elements			
	Single-pole, 1-element			
	Isolation method			
	Photocoupler			
	Control voltage Vn			
5 — 24V DC				
Pick-up voltage				
3.5V or less				
Drop-out voltage				
1V and over				
Operating time (at 100% Vn)				
15ms or less				
Release time (at 100% Vn)				
15ms or less				
Auxiliary circuit	—			

Note: \* The values are the maximum ratings of type with cooling fin that apply at an ambient temperature not exceeding 40°C.

# Solid-state Contactors

## SS series

### General use

#### ■ Specifications

##### Single-pole types

##### ● Main circuit 480V AC, SS701H to SS2001H

##### AC control voltage

Type	SS701H-1Z-A3 SS701H-1Z-A4	SS1001H-1Z-A3 SS1001H-1Z-A4	SS1501H-1Z-A3 SS1501H-1Z-A4	SS2001H-1Z-A3 SS2001H-1Z-A4	
Ordering code	SS701H-1ZA3 SS701H-1ZA4	SS1A1H-1ZA3 SS1A1H-1ZA4	SS1F1H-1ZA3 SS1F1H-1ZA4	SS2A1H-1ZA3 SS2A1H-1ZA4	
Main circuit	Rated voltage	200 - 480V AC 50/60Hz			
	Rated thermal current (A)*	70	100	150	200
	Max. heater capacity (kW) Single phase 400V AC	28	40	60	80
	Number of elements	Single-pole, 1-element			
Control circuit	Isolation method	Photocoupler			
	Control voltage Vn	A3: 100 – 120V AC, A4: 200 – 240V AC			
	Pick-up voltage Drop-out voltage	85% Vn or less 35% Vn and over			
	Operating time (at 100% Vn) Release time (at 100% Vn)	30ms or less 30ms or less			
Auxiliary circuit	Output	Thyristor 1NO			
	Rated current and voltage	A3: 50mA, 120V AC A4: 50mA, 240V AC			

##### DC control voltage

Type	SS701H-3Z-D3	SS1001H-3Z-D3	SS1501H-3Z-D3	SS2001H-3Z-D3	
Ordering code	SS701H-3ZD3	SS1A1H-3ZD3	SS1F1H-3ZD3	SS2A1H-3ZD3	
Main circuit	Rated voltage	200 - 480V AC 50/60Hz			
	Rated thermal current (A)*	70	100	150	200
	Max. heater capacity (kW) Single phase 400V AC	28	40	60	80
	Number of elements	Single-pole, 1-element			
Control circuit	Isolation method	Photocoupler			
	Control voltage Vn	5 — 24V DC			
	Pick-up voltage Drop-out voltage	3.5V or less 1V and over			
	Operating time (at 100% Vn) Release time (at 100% Vn)	15ms or less 15ms or less			
Auxiliary circuit	-				

Note: \* The values are the maximum ratings of type with cooling fin that apply at an ambient temperature not exceeding 40°C.

##### 3-pole unit type

##### ● Main circuit 240V AC, SS03 to SS120

Type *1	SS □ □ -1(Z)-A3, A4, D5		SS □ □ -1(Z)-A1, D2						
Ordering code *1	SS □ □ -1M(Z)A3, A4, D5		SS □ □ -1M(Z)A1, D2						
Main circuit	Rated voltage	100 - 240V AC 50/60Hz				100 - 240V AC 50/60Hz			
	Rated thermal current (A)	3	8	20	30	40	50	80	120
	Max. heater capacity (kW)	1.0	2.5	6.9	10.3	13.8	17.3	27.7	41.5
	Max. motor capacity (kW) *2	0.2	0.4	0.75	1.5	2.2	3.7	7.5	7.5
	Motor full load current (A)	1.8	3.2	4.8	8	11.1	17.4	34	34
	3-phase 200V AC								
Control circuit	Number of elements	3-pole, 2 or 3-element *3							
	Isolation method	Photocoupler							
	Control voltage (Vn)	A3: 100–120V AC 50/60Hz A4: 200–240V AC 50/60Hz D5: 12–24V DC				A1: 100–120/200–240V AC 50/60Hz D2: 12/24V DC			
	Pick-up voltage Drop-out voltage	85% Vn or less 8V or less(D5) 30% Vn and over 1V and over(D5)				85% Vn or less 30% Vn and over			
	Operating time (at 100% Vn) Release time (at 100% Vn)	30ms or less 30ms or less							
Auxiliary circuit	Output	AC operated	Thyristor 1NO						Thyristor 2NO
		DC operated	Transistor 1NO						Transistor 2NO
	Rated current and voltage	AC operated	50mA, 240V AC				0.2A, 240V AC		
	DC operated	0.1A, 24V DC				0.2A, 24V DC			

Note: \*1, \*2, \*3 see page 01/113.

■ Specifications

3-pole unit types

● Main circuit 240V AC, SS03 to SS120

Type *1		SS□■-3(Z)-D5, D6				SS□■-3(Z)-D3			
Ordering code *1		SS□■-3M(Z)D5, D6				SS□■-3M(Z)D3			
Main circuit	Rated voltage	100 - 240V AC 50/60Hz							
	Rated thermal current (A)	3	8	20	30	40	50	80	120
	Max. heater capacity (kW)	1.0	2.5	6.9	10.3	13.8	17.3	27.7	41.5
	Max. motor capacity (kW) *2	0.2	0.4	1.5	2.2	3.7	5.5	7.5	7.5
	Motor full load current (A) 3-phase 200V AC	1.8	3.2	8	11.1	17.4	26	34	34
Number of elements		3-pole, 2 or 3-element *3							
Control circuit	Isolation method	Photocoupler							
	Control voltage (Vn)	D5: 12-24V DC D6: 5V DC				D3: 5-24V DC			
	Pick-up voltage	D5: 8V or less D6: 4V or less				D3: 3.5V or less			
	Drop-out voltage	D5, D6: 1V and over				D3: 1.5V and over			
	Operating time (at 100% Vn) Release time (at 100% Vn)	5ms or less (SS□-3Z: 15ms or less) 15ms or less							
Auxiliary circuit	AC operated type	—							
	DC operated type	—							

Notes: \*1 Replace the □ mark by rated thermal current code (03 to 200), and the ■ mark by the number of elements (2 or 3). See page 01/132, 133.

\*2 Maximum ratings when SSC is used with cooling fin (SX1-□) at temperature of 40°C or less.

Motor starting current: 6 times full-load current, Motor starting time: 0.25s or less.

\*3 2-element types are supplied in 3-pole with current carrying parts omitted from center pole.

● Main circuit 480V AC, SS30H to SS120H

Type *1		SS□■H-1(Z)-A1, D2				SS□■H-3(Z)-D3			
Ordering code *1		SS□■H-1M(Z)A1, D2				SS□■H-3M(Z)D3			
Main circuit	Rated voltage	200 - 480V AC 50/60Hz							
	Rated thermal current (A)	30	50	80	120	30	50	80	120
	Max. heater capacity (kW)	20.7	34.6	55.4	83.0	20.7	34.6	55.4	83.0
	Max. motor capacity (kW) *2	7.5	11	22	22	7.5	11	22	22
	Motor full load current (A) 3-phase 400V AC	17	24	48	48	17	24	48	48
Number of elements		3-pole, 2 or 3-element *3				3-pole, 2 or 3-element *3			
Control circuit	Isolation method	Photocoupler							
	Control voltage (Vn)	A1: 100-120/200-240V AC 50/60Hz D2: 12/24V DC				5-24V DC			
	Pick-up voltage	85% Vn or less				3.5V or less			
	Drop-out voltage	30% Vn and over				1.5V and over			
	Operating time (at 100% Vn) Release time (at 100% Vn)	30ms or less 30ms or less				5ms or less (SS□H-3Z: 15ms or less) 15ms or less			
Auxiliary circuit	Output	AC operated DC operated				Thyristor 2NO Transistor 2NO			
	Rated current and voltage	AC operated DC operated				0.2A, 240V AC 0.2A, 24V DC			

Notes: \*1 Replace the □ mark by rated thermal current code (03 to 200), and the ■ mark by the number of elements (2 or 3). See page 01/132, 133.

\*2 Maximum ratings when SSC is used with cooling fin (SX1-□) at temperature of 40°C or less.

Motor starting current: 6 times full-load current, Motor starting time: 0.25s or less.

\*3 2-element types are supplied in 3-pole with current carrying parts omitted from center pole.

# Solid-state Contactors

## SS series

### General use

#### ■ Specifications

#### 3-pole independent type

#### ● Main circuit 240V AC, SS03-4 to SS120-4

Type *1	SS□■-4(Z)-A3	SS□■-4(Z)-A4	SS□■-4(Z)-D3	SS□■-4(Z)-D5	SS□■-4(Z)-D6
Ordering code *1	SS□■-4M(Z)A3	SS□■-4M(Z)A4	SS□■-4M(Z)D3	SS□■-4M(Z)D5	SS□■-4M(Z)D6
Main circuit	Rated voltage				
	100 - 240V AC 50/60Hz				
	Rated thermal current (A)				
	20 30 40 50 80 120 3 8 3 8				
Max. heater capacity (kW)					
4 6 8 10 16 24 0.6 1.6 0.6 1.6					
Single phase 200V AC					
Number of elements					
3-pole, 2 or 3-element *3					
Control circuit	Isolation method				
	Photocoupler				
	Control voltage (Vn)				
	100-120V AC 200-240V AC 5-24V DC 12-24V DC 5V DC				
	Pick-up voltage				
85% Vn or less 3.5V or less 8V or less 4V or less					
Drop-out voltage					
30%Vn and over 1.5V and over 1V and over 1V and over					
Operating time (at 100% Vn)					
30ms or less 5ms or less (D3: SS□■-4Z: 15ms or less)					
Release time (at 100% Vn)					
30ms or less 15ms or less					
Auxiliary circuit	—				

#### ● Main circuit 480V AC, SS30H-4 to SS120H-4

Type *1	SS□■H-4(Z)-A3	SS□■H-4(Z)-A4	SS□■H-4(Z)-D3
Ordering code *1	SS□■H-4M(Z)A3	SS□■H-4M(Z)A4	SS□■H-4M(Z)D3
Main circuit	Rated voltage		
	200 - 480V AC 50/60Hz		
	Rated thermal current (A)		
	30 50 80 120		
Max. heater capacity (kW)			
12 20 32 48			
Single phase 400V AC			
Number of elements			
3-pole, 2 or 3-element *3			
Control circuit	Isolation method		
	Photocoupler		
	Control voltage (Vn)		
	100-120V AC 200-240V AC 5-24V DC		
	Pick-up voltage		
85% Vn or less 3.5V or less			
Drop-out voltage			
30% Vn and over 1.5V and over			
Operating time (at 100% Vn)			
30ms or less 5ms or less (SS□■H-4Z: 15ms or less)			
Release time (at 100% Vn)			
30ms or less 15ms or less			
Auxiliary circuit	—		

Notes: \*1 Replace the □ mark by rated thermal current code (03 to 200) and the ■ mark by the number of elements (2 or 3). See page 01/132, 133.

\*2 Maximum ratings when SSC is used with cooling fin (SX1-□) at temperature of 40°C or less.

\*3 2-element types are supplied in 3-pole with current carrying parts omitted from center pole.

● **3-pole AC operated**

Type Main circuit 240V AC: <b>Blank</b> 480V AC: <b>H</b> 3-pole 2-element	3-pole 3-element	Control circuit									
		3-pole unit type: 1						3-pole independent type: 4			
		Zero-cross function									
		Provided: <b>Z</b>			Not provided: <b>Blank</b>			Provided: <b>Z</b>		Not provided: <b>Blank</b>	
Control voltage: 100-120V AC/200-220V AC: <b>A1</b> , 100-120V AC: <b>A3</b> , 200-240V AC: <b>A4</b>											
A1 A3 A4			A1 A3 A4			A3 A4		A3 A4			
With cooling fin: F					With cooling fin: F						
SS032	SS033		●	●		●	●				
SS082	SS083		●	●		●	●				
SS202	SS203	●			●			●	●	● ●	
SS302	SS303	●			●			●	●	● ●	
SS302H	SS303H	●			●			●	●	● ●	
SS402	SS403	●			●			●	●	● ●	
SS502	SS503	●			●			●	●	● ●	
SS502H	SS503H	●			●			●	●	● ●	
SS802	SS803	●			●			●	●	● ●	
SS802H	SS803H	●			●			●	●	● ●	
SS1202	SS1203	●			●			●	●	● ●	
SS1202H	SS1203H	●			●			●	●	● ●	

Note: ● Available

● **3-pole DC operated**

Type Main circuit 240V AC: <b>Blank</b> 480V AC: <b>H</b> 3-pole 2-element	3-pole 3-element	Control circuit																	
		3-pole unit type: 1						3-pole unit type: 3						3-pole independent type: 4					
		Zero-cross function																	
		Provided: <b>Z</b>			Not provided: <b>Blank</b>			Provided: <b>Z</b>			Not provided: <b>Blank</b>			Provided: <b>Z</b>			Not provided: <b>Blank</b>		
Control voltage: 12/24V DC: <b>D2</b> , 5-24V DC: <b>D3</b> , 12-24V DC: <b>D5</b> , 5V DC: <b>D6</b>																			
D2 D5			D2 D5			D3 D5 D6			D3 D5 D6			D3 D5 D6			D3 D5 D6				
With cooling fin: F									With cooling fin: F										
SS032	SS033		●		●		●	●		●	●		●	●		●	●		
SS082	SS083		●		●		●	●		●	●		●	●		●	●		
SS202	SS203	●		●		●			●			●			●				
SS302	SS303	●		●		●			●			●			●				
SS302H	SS303H	●		●		●			●			●			●				
SS402	SS403	●		●		●			●			●			●				
SS502	SS503	●		●		●			●			●			●				
SS502H	SS503H	●		●		●			●			●			●				
SS802	SS803	●		●		●			●			●			●				
SS802H	SS803H	●		●		●			●			●			●				
SS1202	SS1203	●		●		●			●			●			●				
SS1202H	SS1203H	●		●		●			●			●			●				

Note: ● Available



■ Ordering code system

S S 8 0 3 H — 1 Z A 1 F A 3  
① ② ③ ④ ⑤ ⑥ ⑦ ⑧ ⑨ ⑩ ⑪ ⑫ ⑬

① Product category

Description	Code
Contactors	S

② Series category

Description	Code
Solid-state contactor	S

③④ Framesize

Frame size	Code	
	③	④
03	0	3
08	0	8
10	1	0
20	2	0
30	3	0
40	4	0
50	5	0
70	7	0
80	8	0
100	1	A
120	1	C
150	1	F
200	2	A

⑤ No. of main circuit elements

No. of elements	Code
Single pole, 1-element	1
3-pole, 2-element	2
3-pole, 3-element	3

■ Versions

Single-pole type

● Main circuit 240V AC

Control voltage	Voltage detector	Auxiliary contact	Zero-cross function	Rated thermal current				
				10A	20A	30A	40A	50A
100-120V AC	—	—	●	SS101-5Z-A3	SS201-5Z-A3	SS301-5Z-A3	SS401-5Z-A3	SS501-5Z-A3
200-240V AC	—	—	●	SS101-5Z-A4	SS201-5Z-A4	SS301-5Z-A4	SS401-5Z-A4	SS501-5Z-A4
5-24V DC	—	—	●	SS101-3Z-D3	SS201-3Z-D3	SS301-3Z-D3	SS401-3Z-D3	SS501-3Z-D3

Control voltage	Voltage detector	Auxiliary contact	Zero-cross function	Rated thermal current			
				70A	100A	150A	200A
100-120V AC	●	●	●	SS701-1Z-A3	SS1A1-1Z-A3	SS1F1-1Z-A3	SS2A1-1Z-A3
200-240V AC	●	●	●	SS701-1Z-A4	SS1A1-1Z-A4	SS1F1-1Z-A4	SS2A1-1Z-A4
5-24V DC	—	—	●	SS701-3Z-D3	SS1A1-3Z-D3	SS1F1-3Z-D3	SS2A1-3Z-D3

● Main circuit 480V AC

Control voltage	Voltage detector	Auxiliary contact	Zero-cross function	Rated thermal current			
				70A	100A	150A	200A
100-120V AC	●	●	●	SS701H-1Z-A3	SS1A1H-1Z-A3	SS1F1H-1Z-A3	SS2A1H-1Z-A3
200-240V AC	●	●	●	SS701H-1Z-A4	SS1A1H-1Z-A4	SS1F1H-1Z-A4	SS2A1H-1Z-A4
5-24V DC	—	—	●	SS701H-3Z-D3	SS1A1H-3Z-D3	SS1F1H-3Z-D3	SS2A1H-3Z-D3

Note: ● Provided — Not provided

⑥ Rated voltage of main circuit

Rated voltage	Code
100-240V AC	Blank
200-480V AC	H

⑦ Control circuit

● 3-pole type

Control method	Insolation method	Voltage detector	Auxiliary contact	Code
3-pole unit	Photocoupler	Provided	Provided	1
3-pole unit	Photocoupler	Not provided	Not provided	3
3-pole independent	Photocoupler	Not provided	Not provided	4

● Single-pole type

Control method	Insolation method	Voltage detector	Auxiliary contact	Code
Single-pole	Photocoupler	Provided	Provided	1
	Photocoupler	Not provided	Not provided	3
	Photocoupler	Not provided	Not provided	5

⑧ Zero-cross function

Zero-cross function	Code	
	Single-pole	3-pole
Not provided	Blank	M
Provided	Z	Z

⑩ Shipping form

Description	Code	
	Single-pole	3-pole
Cooling fin set	Blank	F
Contactors only	Not provided	Blank

⑨⑩ Control voltage

Description	Code	
	⑨	⑩
100-120V/200-240V AC	A	1
100-120V AC	A	3
200-240V AC	A	4
12/24V DC	D	2
5-24 V DC	D	3
12-24V DC	D	5
5V DC	D	6

⑫⑬ Cooling fan voltage

Cooling fin control voltage	Code	
	⑫	⑬
100-120V AC	A	3
200-240V AC	A	4
12-24V DC	D	5

# Solid-state Contactors

## SS series

### General use

#### ■ Versions

#### 3-pole type

#### ● Main circuit 240V AC

Rated thermal current		3A	8A	20A	30A	40A	50A	80A	120A
AC control voltage <sup>*1</sup>	2-element	SS032-1M□	SS082-1M□	SS202-1M□F SS202-4M□F	SS302-1M□F SS302-4M□F	SS402-1M□F SS402-4M□F	SS502-1M□F SS502-4M□F	SS802-1M□F SS802-4M□F	SS1C2-1M□F SS1C2-4M□F
	(With zero-cross function)	SS032-1Z□	SS082-1Z□	SS202-1Z□F SS202-4Z□F	SS302-1Z□F SS302-4Z□F	SS402-1Z□F SS402-4Z□F	SS502-1Z□F SS502-4Z□F	SS802-1Z□F SS802-4Z□F	SS1C2-1Z□F SS1C2-4Z□F
	3-element	SS033-1M□	SS083-1M□	SS203-1M□F SS203-4M□F	SS303-1M□F SS303-4M□F	SS403-1M□F SS403-4M□F	SS503-1M□F SS503-4M□F	SS803-1M□F SS803-4M□F	SS1C3-1M□F SS1C3-4M□F
	(With zero-cross function)	SS033-1Z□	SS083-1Z□	SS203-1Z□F SS203-4Z□F	SS303-1Z□F SS303-4Z□F	SS403-1Z□F SS403-4Z□F	SS503-1Z□F SS503-4Z□F	SS803-1Z□F SS803-4Z□F	SS1C3-1Z□F SS1C3-4Z□F
	2-element	SS032-1M□ SS032-3M□ SS032-4M□	SS082-1M□ SS082-3M□ SS082-4M□	SS202-1M□F SS202-3M□F SS202-4M□F	SS302-1M□F SS302-3M□F SS302-4M□F	SS402-1M□F SS402-3M□F SS402-4M□F	SS502-1M□F SS502-3M□F SS502-4M□F	SS802-1M□F SS802-3M□F SS802-4M□F	SS1C2-1M□F SS1C2-3M□F SS1C2-4M□F
	(With zero-cross function)	SS032-1Z□ SS032-3Z□ SS032-4Z□	SS082-1Z□ SS082-3Z□ SS082-4Z□	SS202-1Z□F SS202-3Z□F SS202-4Z□F	SS302-1Z□F SS302-3Z□F SS302-4Z□F	SS402-1Z□F SS402-3Z□F SS402-4Z□F	SS502-1Z□F SS502-3Z□F SS502-4Z□F	SS802-1Z□F SS802-3Z□F SS802-4Z□F	SS1C2-1Z□F SS1C2-3Z□F SS1C2-4Z□F
DC control voltage <sup>*2</sup>	2-element	SS032-1M□ SS032-3M□ SS032-4M□	SS082-1M□ SS082-3M□ SS082-4M□	SS202-1M□F SS202-3M□F SS202-4M□F	SS302-1M□F SS302-3M□F SS302-4M□F	SS402-1M□F SS402-3M□F SS402-4M□F	SS502-1M□F SS502-3M□F SS502-4M□F	SS802-1M□F SS802-3M□F SS802-4M□F	SS1C2-1M□F SS1C2-3M□F SS1C2-4M□F
	(With zero-cross function)	SS032-1Z□ SS032-3Z□ SS032-4Z□	SS082-1Z□ SS082-3Z□ SS082-4Z□	SS202-1Z□F SS202-3Z□F SS202-4Z□F	SS302-1Z□F SS302-3Z□F SS302-4Z□F	SS402-1Z□F SS402-3Z□F SS402-4Z□F	SS502-1Z□F SS502-3Z□F SS502-4Z□F	SS802-1Z□F SS802-3Z□F SS802-4Z□F	SS1C2-1Z□F SS1C2-3Z□F SS1C2-4Z□F
	3-element	SS033-1M□ SS033-3M□ SS033-4M□	SS083-1M□ SS083-3M□ SS083-4M□	SS203-1M□F SS203-3M□F SS203-4M□F	SS303-1M□F SS303-3M□F SS303-4M□F	SS403-1M□F SS403-3M□F SS403-4M□F	SS503-1M□F SS503-3M□F SS503-4M□F	SS803-1M□F SS803-3M□F SS803-4M□F	SS1C3-1M□F SS1C3-3M□F SS1C3-4M□F
	(With zero-cross function)	SS033-1Z□ SS033-3Z□ SS033-4Z□	SS083-1Z□ SS083-3Z□ SS083-4Z□	SS203-1Z□F SS203-3Z□F SS203-4Z□F	SS303-1Z□F SS303-3Z□F SS303-4Z□F	SS403-1Z□F SS403-3Z□F SS403-4Z□F	SS503-1Z□F SS503-3Z□F SS503-4Z□F	SS803-1Z□F SS803-3Z□F SS803-4Z□F	SS1C3-1Z□F SS1C3-3Z□F SS1C3-4Z□F
	2-element	SS032-1M□ SS032-3M□ SS032-4M□	SS082-1M□ SS082-3M□ SS082-4M□	SS202-1M□F SS202-3M□F SS202-4M□F	SS302-1M□F SS302-3M□F SS302-4M□F	SS402-1M□F SS402-3M□F SS402-4M□F	SS502-1M□F SS502-3M□F SS502-4M□F	SS802-1M□F SS802-3M□F SS802-4M□F	SS1C2-1M□F SS1C2-3M□F SS1C2-4M□F
	(With zero-cross function)	SS032-1Z□ SS032-3Z□ SS032-4Z□	SS082-1Z□ SS082-3Z□ SS082-4Z□	SS202-1Z□F SS202-3Z□F SS202-4Z□F	SS302-1Z□F SS302-3Z□F SS302-4Z□F	SS402-1Z□F SS402-3Z□F SS402-4Z□F	SS502-1Z□F SS502-3Z□F SS502-4Z□F	SS802-1Z□F SS802-3Z□F SS802-4Z□F	SS1C2-1Z□F SS1C2-3Z□F SS1C2-4Z□F

Note: Enter the cooling fan voltage code in the ■ mark, [see page 01/133](#).

#### ● Main circuit 480V AC

Rated thermal current		30A	50A	80A	120A
AC control voltage <sup>*1</sup>	2-element	SS302H-1M□F SS302H-4M□F	SS502H-1M□F SS502H-4M□F	SS802H-1M□F SS802H-4M□F	SS1C2H-1M□F SS1C2H-4M□F
	(With zero-cross function)	SS302H-1Z□F SS302H-4Z□F	SS502H-1Z□F SS502H-4Z□F	SS802H-1Z□F SS802H-4Z□F	SS1C2H-1Z□F SS1C2H-4Z□F
	3-element	SS303H-1M□F SS303H-4M□F	SS503H-1M□F SS503H-4M□F	SS803H-1M□F SS803H-4M□F	SS1C3H-1M□F SS1C3H-4M□F
	(With zero-cross function)	SS303H-1Z□F SS303H-4Z□F	SS503H-1Z□F SS503H-4Z□F	SS803H-1Z□F SS803H-4Z□F	SS1C3H-1Z□F SS1C3H-4Z□F
	2-element	SS302H-1M□F SS302H-3M□F SS302H-4M□F	SS502H-1M□F SS502H-3M□F SS502H-4M□F	SS802H-1M□F SS802H-3M□F SS802H-4M□F	SS1C2H-1M□F SS1C2H-3M□F SS1C2H-4M□F
	(With zero-cross function)	SS302H-1Z□F SS302H-3Z□F SS302H-4Z□F	SS502H-1Z□F SS502H-3Z□F SS502H-4Z□F	SS802H-1Z□F SS802H-3Z□F SS802H-4Z□F	SS1C2H-1Z□F SS1C2H-3Z□F SS1C2H-4Z□F
DC control voltage <sup>*2</sup>	2-element	SS302H-1M□F SS302H-3M□F SS302H-4M□F	SS502H-1M□F SS502H-3M□F SS502H-4M□F	SS802H-1M□F SS802H-3M□F SS802H-4M□F	SS1C2H-1M□F SS1C2H-3M□F SS1C2H-4M□F
	(With zero-cross function)	SS302H-1Z□F SS302H-3Z□F SS302H-4Z□F	SS502H-1Z□F SS502H-3Z□F SS502H-4Z□F	SS802H-1Z□F SS802H-3Z□F SS802H-4Z□F	SS1C2H-1Z□F SS1C2H-3Z□F SS1C2H-4Z□F
	3-element	SS303H-1M□F SS303H-3M□F SS303H-4M□F	SS503H-1M□F SS503H-3M□F SS503H-4M□F	SS803H-1M□F SS803H-3M□F SS803H-4M□F	SS1C3H-1M□F SS1C3H-3M□F SS1C3H-4M□F
	(With zero-cross function)	SS303H-1Z□F SS303H-3Z□F SS303H-4Z□F	SS503H-1Z□F SS503H-3Z□F SS503H-4Z□F	SS803H-1Z□F SS803H-3Z□F SS803H-4Z□F	SS1C3H-1Z□F SS1C3H-3Z□F SS1C3H-4Z□F
	2-element	SS302H-1M□F SS302H-3M□F SS302H-4M□F	SS502H-1M□F SS502H-3M□F SS502H-4M□F	SS802H-1M□F SS802H-3M□F SS802H-4M□F	SS1C2H-1M□F SS1C2H-3M□F SS1C2H-4M□F
	(With zero-cross function)	SS302H-1Z□F SS302H-3Z□F SS302H-4Z□F	SS502H-1Z□F SS502H-3Z□F SS502H-4Z□F	SS802H-1Z□F SS802H-3Z□F SS802H-4Z□F	SS1C2H-1Z□F SS1C2H-3Z□F SS1C2H-4Z□F

#### Notes:

Control voltage (Refer to [page 01/133, 134](#).)

<sup>\*1</sup> Replace the □ mark in the order number by the control voltage codes shown below.

A1	100–120/200–240V AC
A3	100–120V AC
A4	200–240V AC

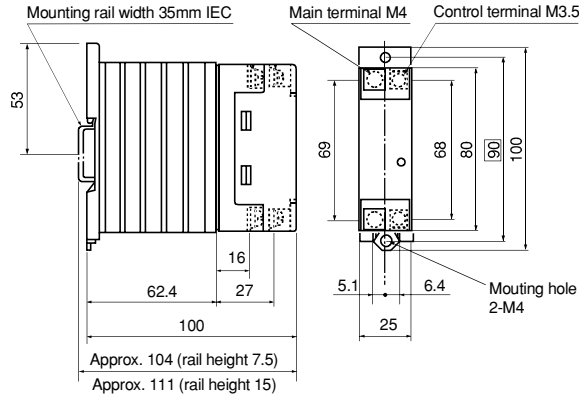
<sup>\*2</sup> Replace the □ mark in the order number by the control voltage codes shown below.

D2	12/24V DC
D3	5–24V DC
D5	12–24V DC
D6	5V DC

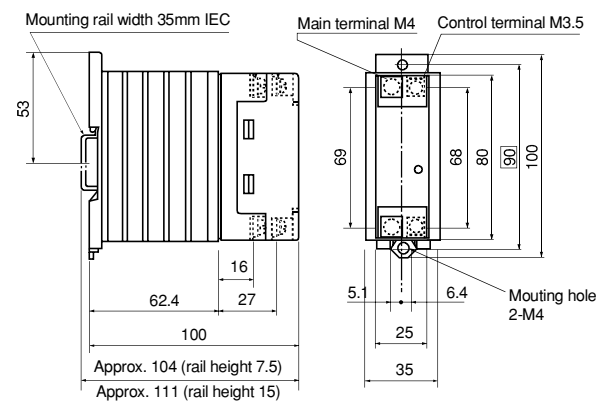
Note: Enter the cooling fan voltage code in the ■ mark, [see page 01/133](#).

■ Dimensions, mm  
 Single-pole type

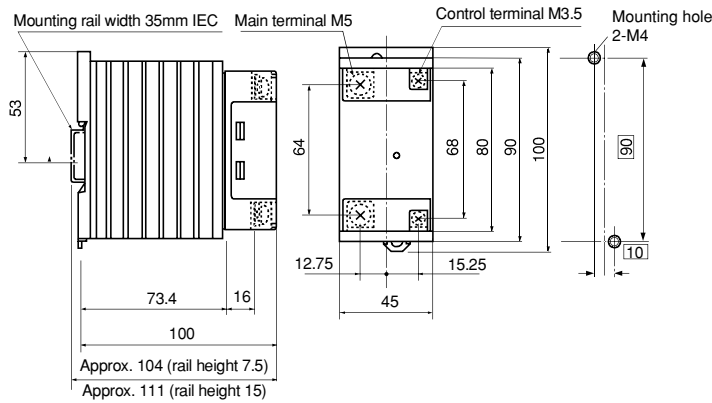
● SS101



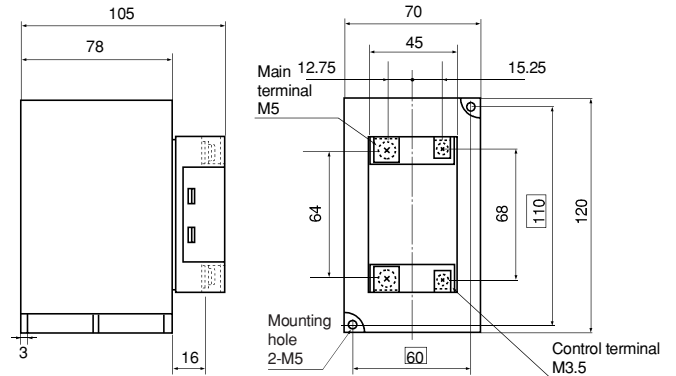
● SS201



● SS301, 401

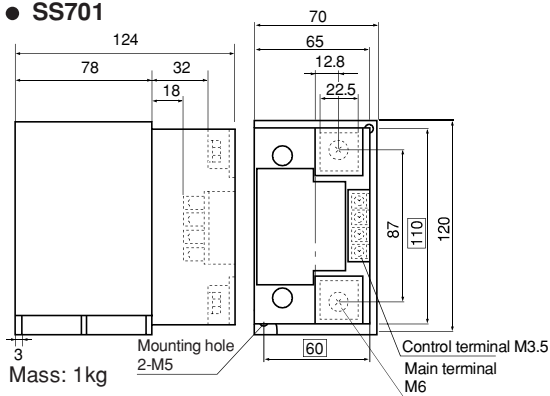


● SS501

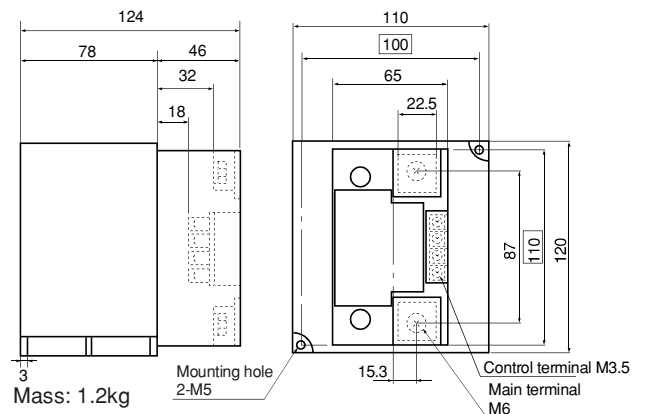


Mass:  
 SS101: 0.22kg SS401: 0.36kg  
 SS201: 0.24kg SS501: 0.66kg  
 SS301: 0.36kg

● SS701



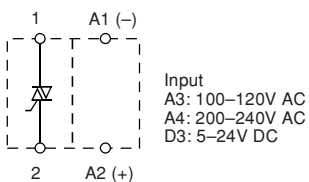
● SS1001



□ Mounting hole dimensions

■ Wiring diagram

● SS101 to SS501

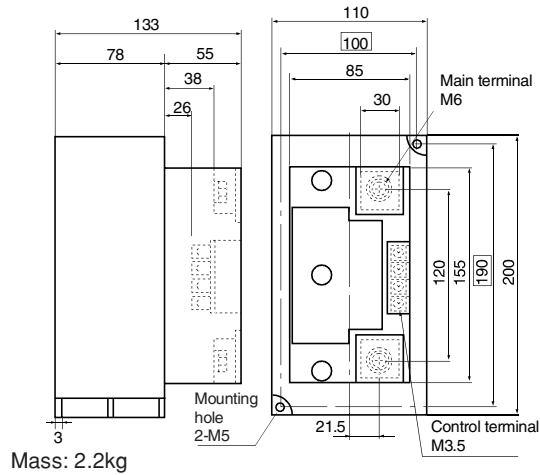


# Solid-state Contactors

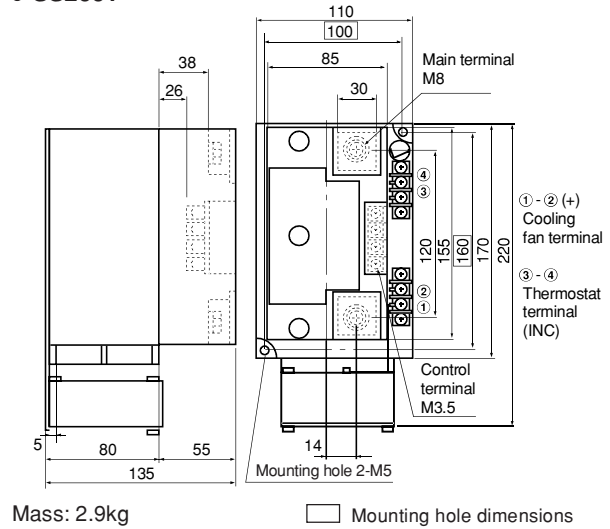
## SS series

### General use

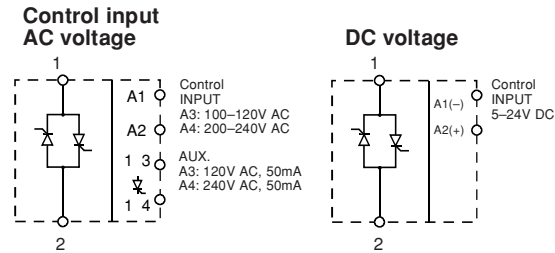
■ **Dimensions, mm**  
**Single-pole type**  
 ● **SS1501**



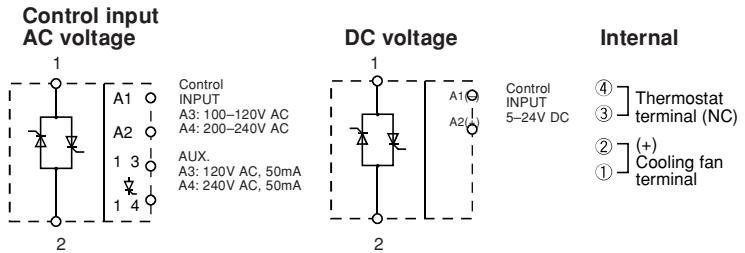
● **SS2001**



■ **Wiring diagrams**  
 ● **SS701 to SS1501**  
**SS701H to SS1501H**

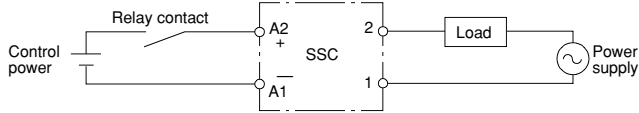


● **SS2001, SS2001H**

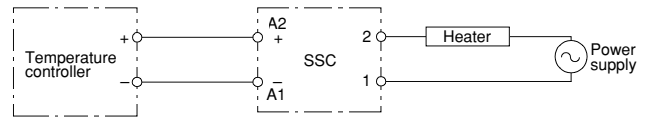


**Single pole type solid-state contactor**  
**Application example**

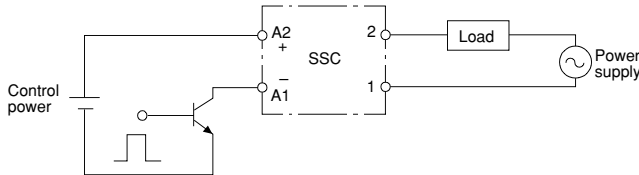
- **Drive system**
- **Driven by relay contact**



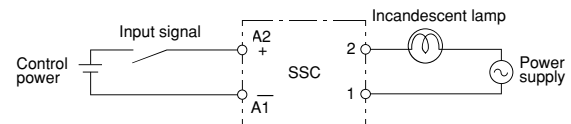
- **Connection to load**
- **Heater control**



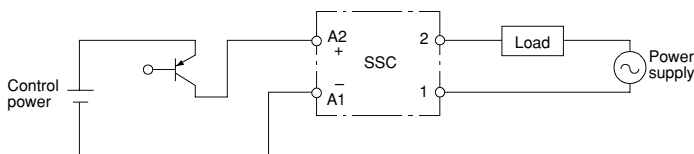
- **Driven by NPN transistor**



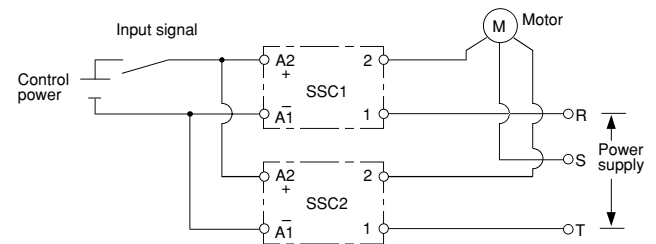
- **Incandescent lamp**



- **Driven by PNP transistor**



- **3-phase motor**



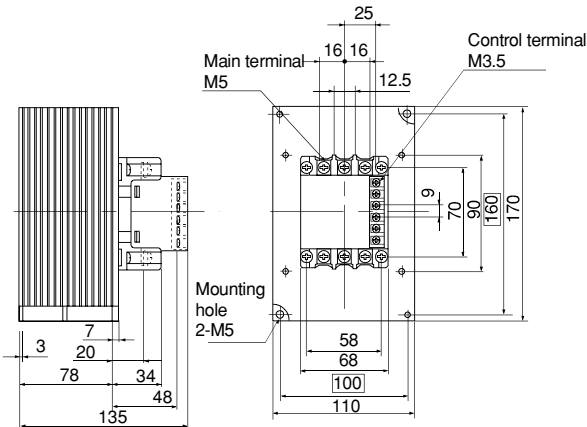


# Solid-state Contactors

## SS series

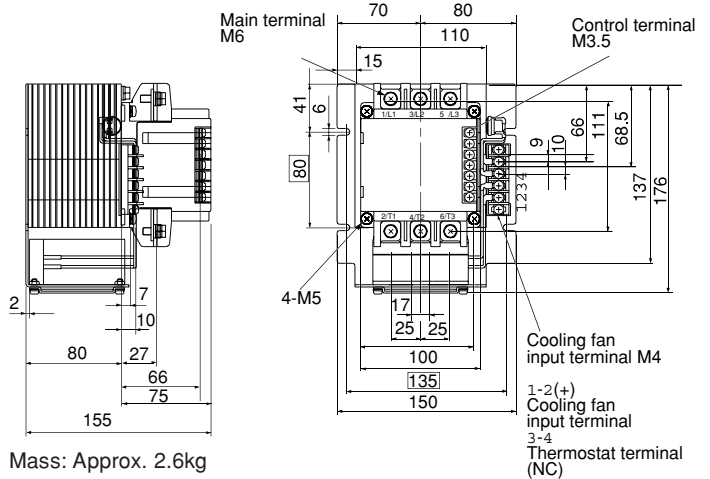
### General use

■ Dimensions, mm  
● SS503



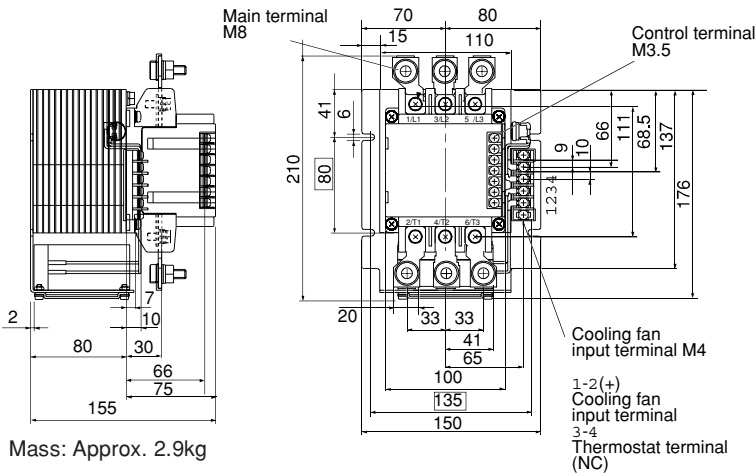
Mass: Approx. 1.6kg

● SS802, 803, 802H, 803H



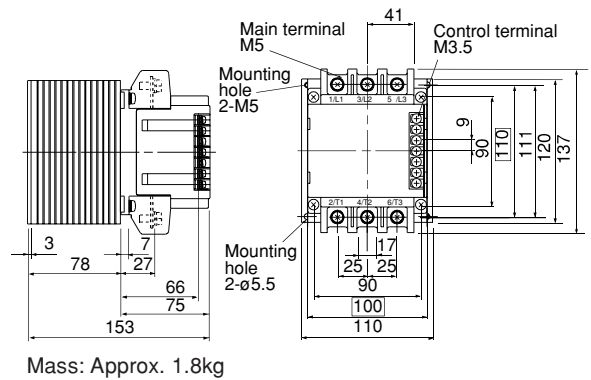
Mass: Approx. 2.6kg

● SS1202, 1203, 1202H, 1203H



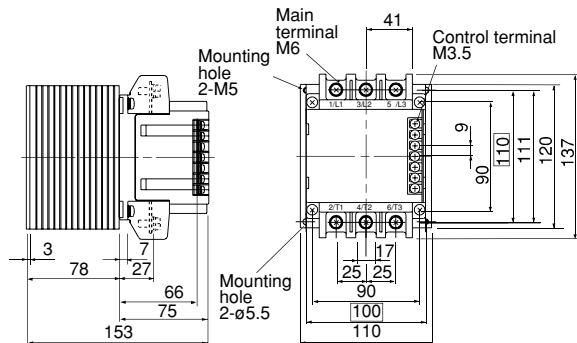
Mass: Approx. 2.9kg

● SS302H, 303H



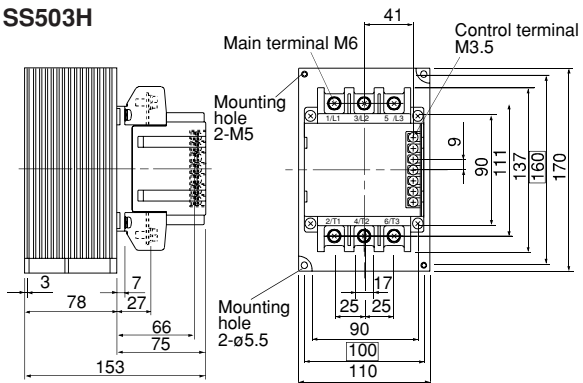
Mass: Approx. 1.8kg

● SS502H



Mass: Approx. 1.8kg

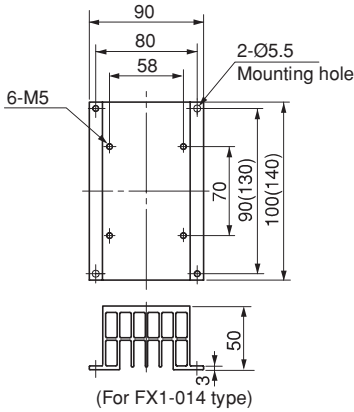
● SS503H



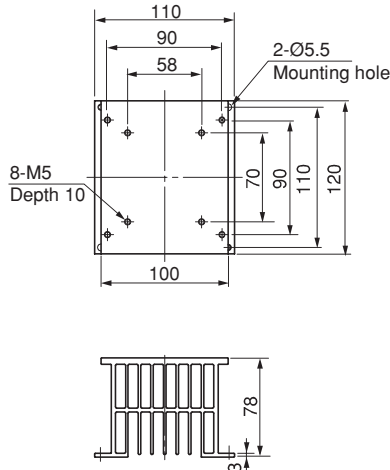
Mass: Approx. 2.2kg

□ Mounting hole dimensions

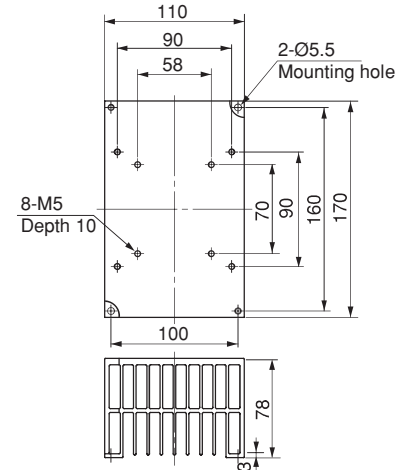
■ Dimensions, mm/Cooling fins  
● SX1-D10, SX1-D14



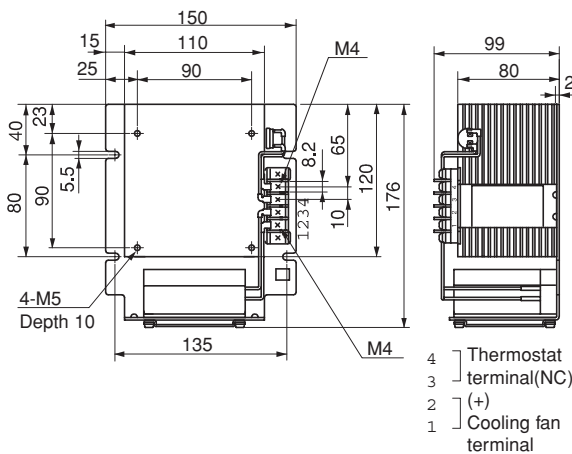
● SX1-E12



● SX1-E17



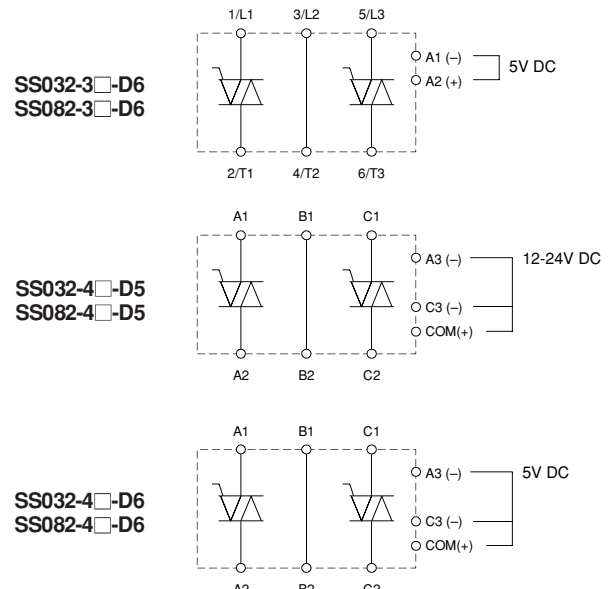
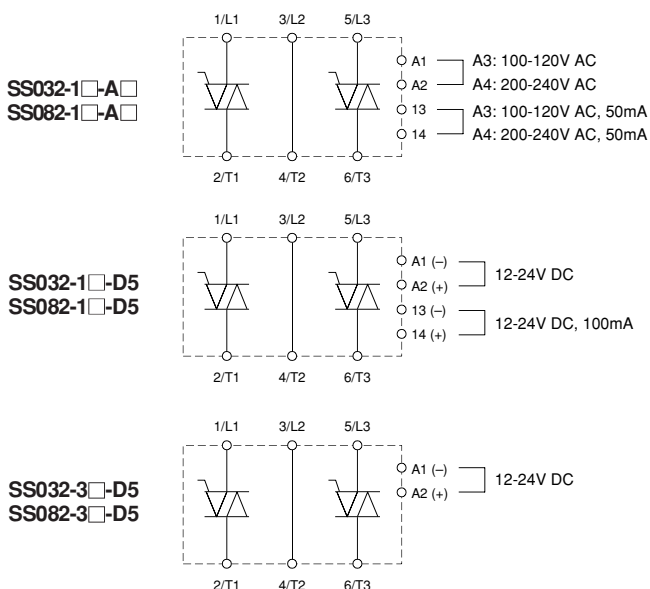
● SX1-C12



Type	Used with	Mass (kg)
SX1-D10	SS202, SS203, SS302	Approx. 0.36
SX1-D14	SS402	Approx. 0.53
SX1-E12	SS302H, SS303, SS303H SS403, SS502, SS502H	Approx. 0.82
SX1-E17	SS503, SS503H	Approx. 1.16
SX1-C12-A3	100-110V AC 50/60Hz	SS802, SS802H, SS803
SX1-C12-A4	200-220V DC 50/60Hz	SS803H, SS1202, SS1202H
SX1-C12-D5	24V DC	SS1203, SS1203H

■ Wiring diagrams  
● SS03, SS08/2-element

A1, A2, A3, C3, COM: Control terminals  
13, 14: Aux.terminals



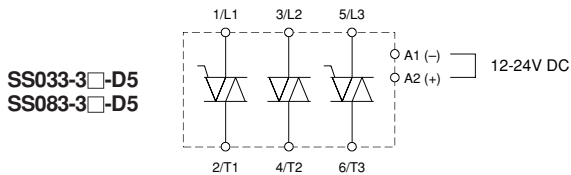
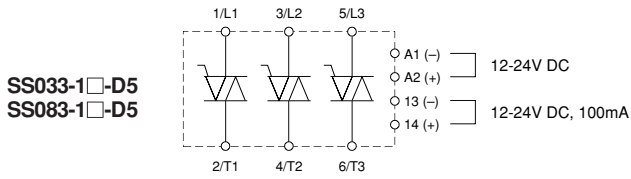
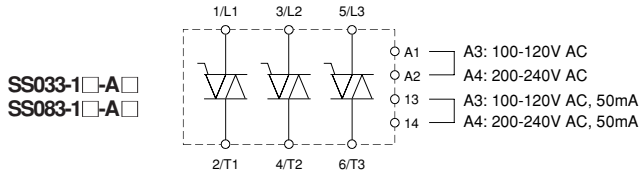
# Solid-state Contactors

## SS series

### General use

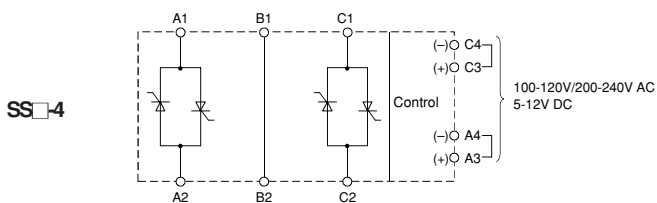
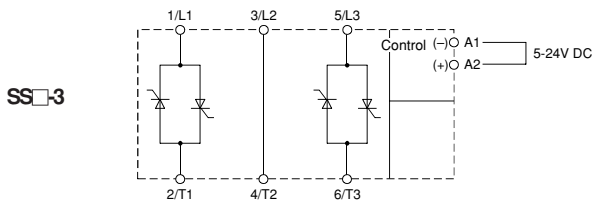
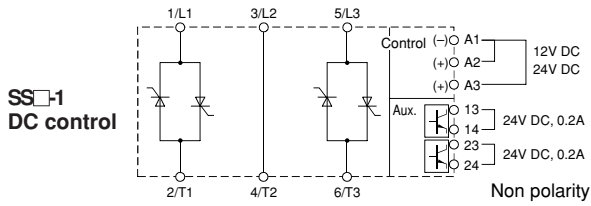
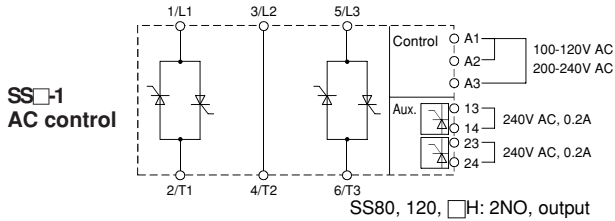
#### ■ Wiring diagrams

##### ● SS03, SS08/3-element



##### ● SS20, SS30, SS40, SS50, SS80, SS120

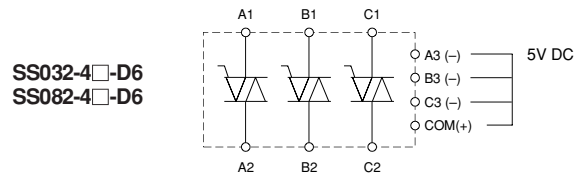
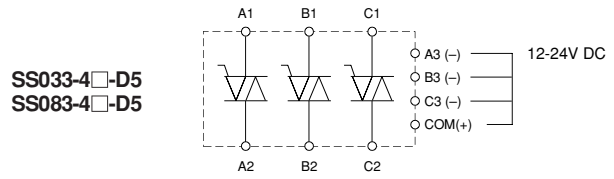
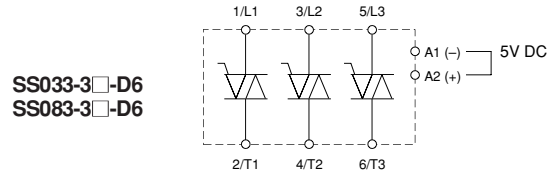
#### 2-element



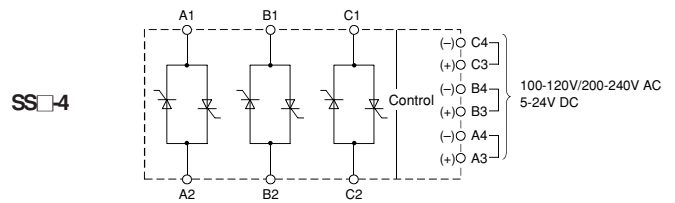
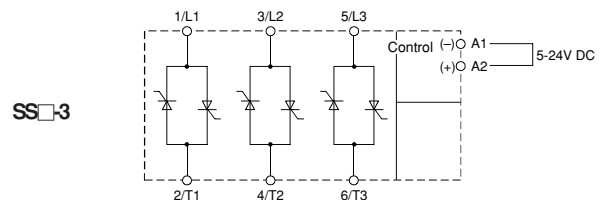
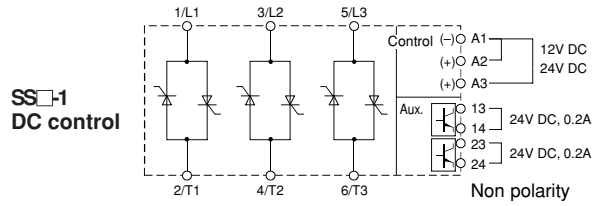
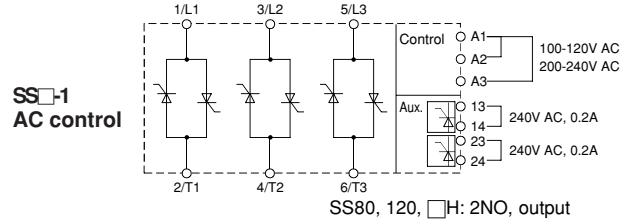
#### ■ Precautions for use

Be sure to read an Instruction Manual enclosed with the solid state relays before using in order to ensure proper operation.

A1, A2, A3, B3, B4, C3, C4: Control terminals  
13, 14, 23, 24: Aux.terminals



#### 3-element



**Solid-state contactors, Exclusively heater load use**

■ **Description**

These SSCs are compact and low in price, and applicable for heater switching.

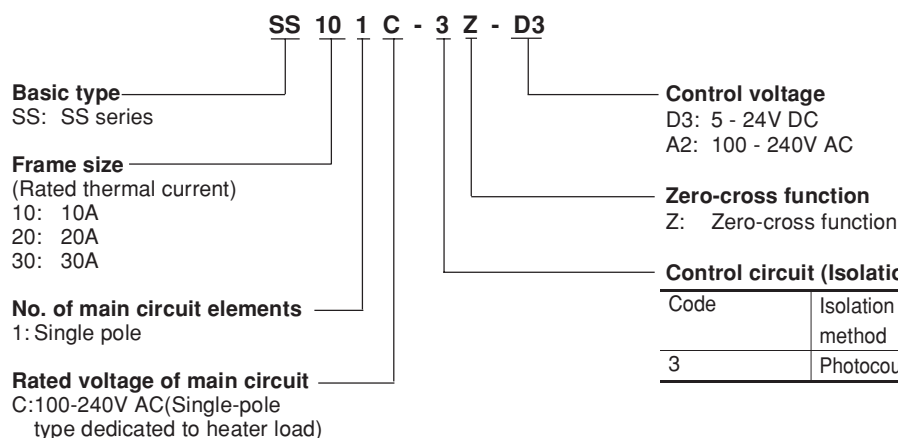
■ **Features**

- Single-pole type
- Powerful line-up covering the output range of 10 to 30A, 240V AC
- Built-in surge suppressor (varistor) between output terminals
- Operation indication LED (red) equipped as standard for checking the input status of control voltage
- Terminal cover to prevent exposure of active terminals (optional)
- Dedicated cooling fin (optional)
- Standard models with UL and CSA approval.



SS101C-3Z

■ **Type number nomenclature**



Control circuit (Isolation method and function)			
Code	Isolation method	Voltage detector	Auxiliary contact
3	Photocoupler	Not provided	Not provided

■ **Types and ratings**

Rated thermal current *	Rated voltage of main circuit	Type	Ordering code	Voltage detection	Zero-cross function	Control circuit voltage	Impedance
10A	100 – 240V AC	SS101C-3Z-D3	SS101C-3ZD3	–	Provided	5 – 24V DC	4.8kΩ (at 24V)
		SS101C-3Z-A2	SS101C-3ZA2	–	Provided	100 – 240V AC	70kΩ (at 200V)
20A	100 – 240V AC	SS201C-3Z-D3	SS201C-3ZD3	–	Provided	5 – 24V DC	4.8kΩ (at 24V)
		SS201C-3Z-A2	SS201C-3ZA2	–	Provided	100 – 240V AC	70kΩ (at 200V)
30A	100 – 240V AC	SS301C-3Z-D3	SS301C-3ZD3	–	Provided	5 – 24V DC	4.8kΩ (at 24V)
		SS301C-3Z-A2	SS301C-3ZA2	–	Provided	100 – 240V AC	70kΩ (at 200V)


Note: \* The maximum rating when SSC is used with cooling fin.

# Solid-state Contactors

## SS series

### Heater load use

#### Specifications

Type	SS□1C-3Z-D3			SS□1C-3Z-A2			
Main circuit	Rated operational voltage	100 to 240V AC					
	Operational voltage range	85 to 264V AC					
	Rated thermal current (I <sub>th</sub> )(AC-1) *	10A	20A	30A	10A	20A	30A
	Rated frequency	50/60Hz					
	Applicable heater capacity (1φ 200V)	2kW	4kW	6kW	2kW	4kW	6kW
	Minimum load current	100mA					
	Voltage drop (ON state) (max.)	1.6V					
	Leakage current (OFF state) (max.)	15mA					
	Non-repetitive surge on current (I <sub>TSM</sub> ) (Under 60Hz, sine wave, 1 cycle, rated load condition)	150A	225A	300A	150A	225A	300A
	Zero-cross function	Provided					
Surge suppressor (varistor)	Provided (between output terminals)						
Applicable cooling fin (Optional)	Fin type : SX1-H9B/X, I9B/X (rail-mounting/screw-mounting), SX1-100S, 200S (screw-mounting)						
Control circuit	Isolation method	Photocoupler			AC operated type (2 terminals, non polarity)		
		DC operated type (2 terminals, with polarity)			AC operated type (2 terminals, non polarity)		
	Rated operational voltage	5, 12, 24V DC			100 – 120/200 – 240V AC		
	Operational voltage range	4 to 30V DC			85 to 264V AC		
	Operational voltage	4V DC or less			85V AC or less		
	Reset voltage	1.5V DC and over			30V AC and over		
	Operation time (at 100%V <sub>n</sub> )	15ms or less			30ms or less		
	Reset time (at 100%V <sub>n</sub> )	15ms or less			30ms or less		
	Current consumption	7mA or less (at 30V DC)			5mA or less (at 264V AC)		
	Operation indicator	LED (Red)					
Mass	Approx. 55g						
Approved by							

Note: \* The maximum rating when SSC is used with cooling fin.

#### General specifications

Type	SS□1C-3Z-D3,-A2
Temperature range	-20 to +80°C (no icing)
Relative humidity	45 to 85% (no condensation)
Altitude	2,000m or less
Temperature-rise (100%I <sub>n</sub> , 100%V <sub>n</sub> )	Main circuit terminal, Control circuit terminal, Base...65°C or less
Dielectric strength	2,000V AC, 1 minute. : Between main circuits, between control circuit and base, between main circuit and control circuit.
Insulation resistance	100MΩ or more (500V DC megger) : Between main circuits, between control circuit and base, between main circuit and control circuit.
Vibration resistance	Mechanical durability: 10 to 55Hz, double amplitude 0.75mm
Shock resistance	Mechanical durability: 300m/s <sup>2</sup>

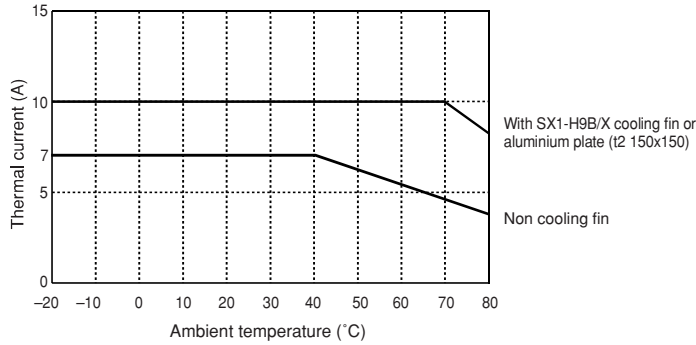
#### Wiring

Terminal type	Terminal screw	Connectable wire size (maximum size of conductor)	Maximum width of crimp-type terminal (nominal size) *1 *2	Recommended tightening torque
Main circuit terminal	M4 cross-recessed slotted machine screw with square washer	1.25 to 5.5mm <sup>2</sup> φ2 to 3.2	9.7mm (R5.5-4)	1.2 to 1.5N·m
Control circuit terminal	M4 cross-recessed slotted machine screw with square washer	1.25 to 5.5mm <sup>2</sup> φ2 to 3.2	9.7mm (R5.5-4)	1.2 to 1.5N·m

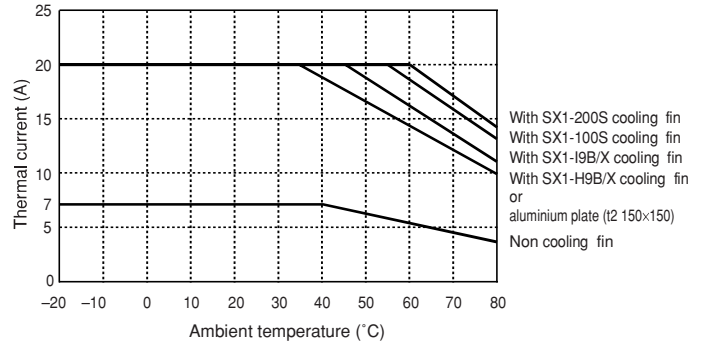
Note: \*1 JIS C 2805 round crimp-type terminal

\*2 Prepare crimp-type terminals smaller than the specified maximum width.

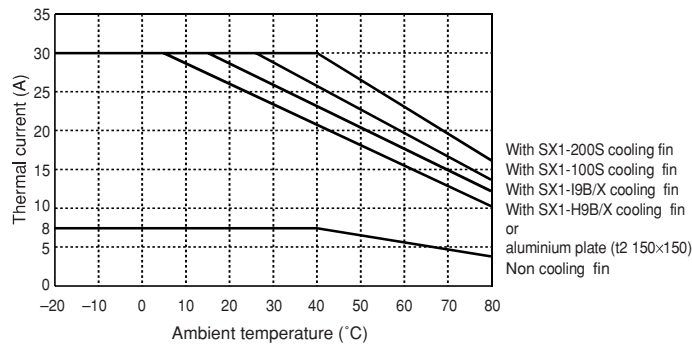
■ Ambient temperature - Thermal current characteristics  
**SS101C-3Z-□**



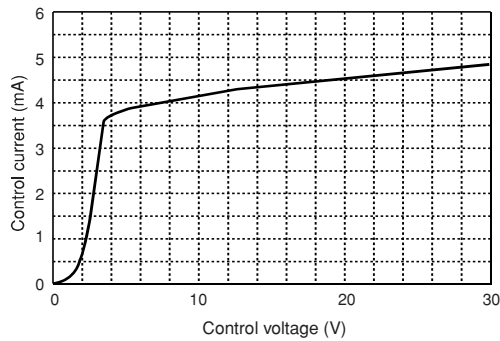
**SS201C-3Z-□**



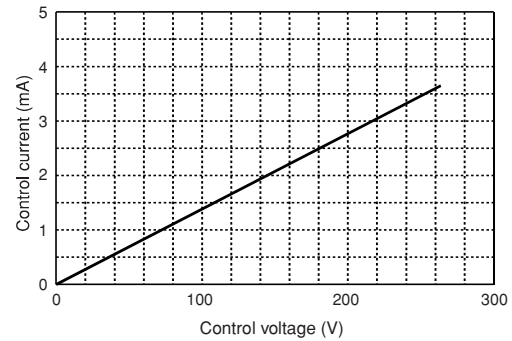
■ **SS301C-3Z-□**



■ Control voltage - Current characteristic (Example)  
**DC input (SS□1C-3Z-D3 type)**

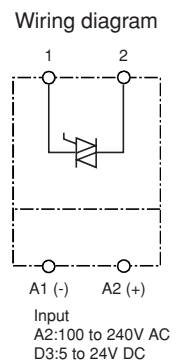
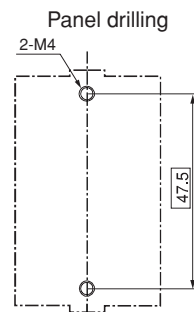
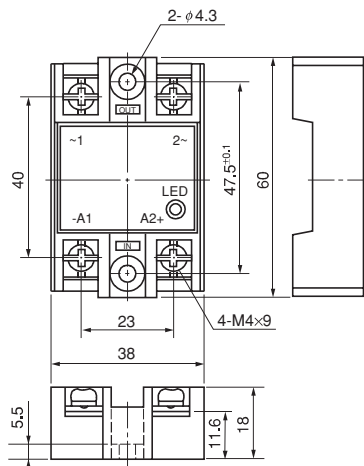


**AC input (SS□1C-3Z-A2 type)**



■ Dimensions, mm

SS101C-3Z-D3, -A2  
 SS201C-3Z-D3, -A2  
 SS301C-3Z-D3, -A2



# Solid-state Contactors

## SS series

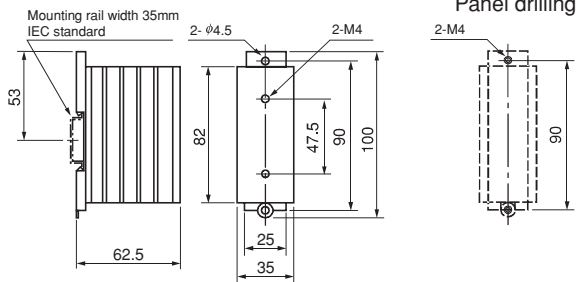
### Heater load use

#### ■ Cooling fin (Optional)

Type	Ordering code	Mounting	Application SSC
SX1-H9B/X	SY1H9BX	Rail-mounting, screw-mounting	SS101C, SS201C, SS301 C
SX1-I9B/X	SY1I9BX	Rail-mounting, screw-mounting	SS201C, SS301C
SX1-100S	SY1100S	screw-mounting	SS201C, SS301C
SX1-200S	SY1200S	screw-mounting	SS201C, SS301C

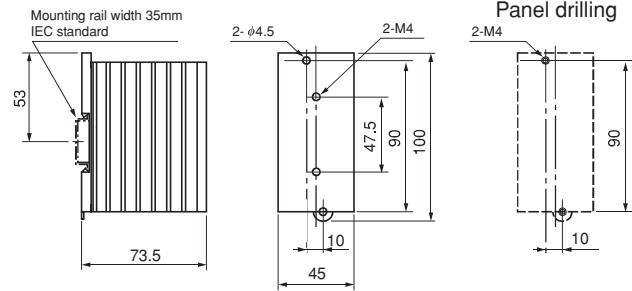
#### Dimensions, mm

##### SX1-H9B/X (SS101C, 201C, 301C)



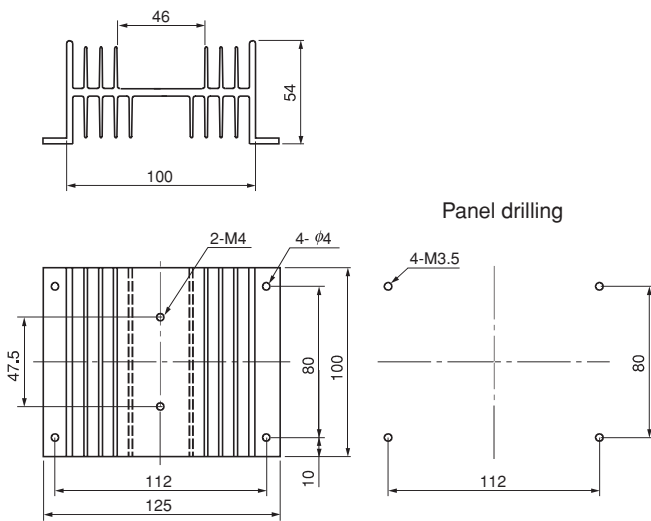
Mass: Approx. 150g

##### SX1-I9B/X (SS201C, SS301C)



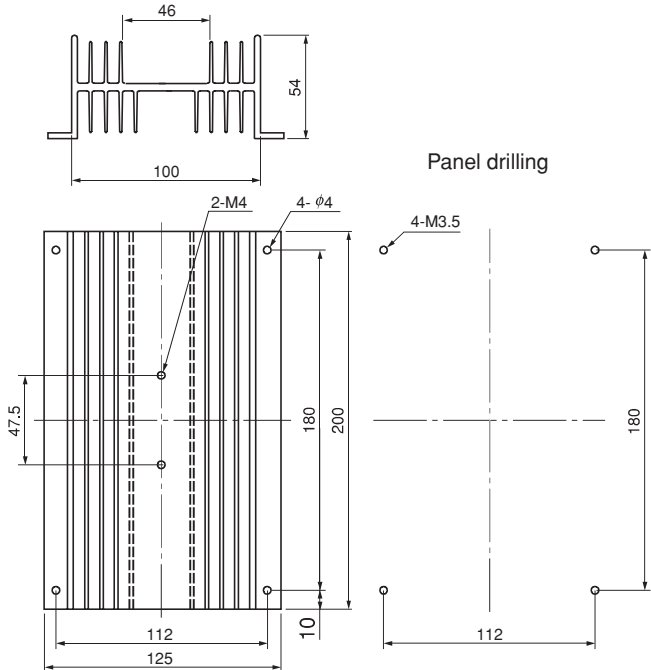
Mass: Approx. 200g

##### SX1-100S (SS201C, SS301C)



Mass: Approx. 350g

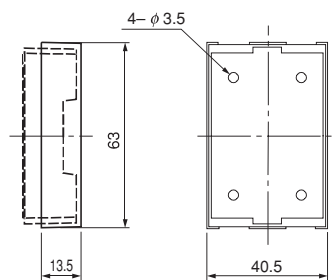
##### SX1-200S (SS201C, 301C)



Mass: Approx. 700g

#### ■ Terminal cover (Optional) SX2-C11

##### Dimensions, mm



Mass: Approx. 6g

#### ■ Precautions for use

Be sure to read an Instruction Manual enclosed with the solid state relays before using in order to ensure proper operation.

**Solid-state contactors SS series UL** [File No. E132864, E142975]

**Single pole type**

● **Main circuit 240V AC, SS101 to SS2001**

Type	<b>SS101-5Z-A3</b> <b>SS101-5Z-A4</b> <b>SS101-3Z-D3</b>	<b>SS201-5Z-A3</b> <b>SS201-5Z-A4</b> <b>SS201-3Z-D3</b>	<b>SS301-5Z-A3</b> <b>SS301-5Z-A4</b> <b>SS301-3Z-D3</b>	<b>SS401-5Z-A3</b> <b>SS401-5Z-A4</b> <b>SS401-3Z-D3</b>	<b>SS501-5Z-A3</b> <b>SS501-5Z-A4</b> <b>SS501-3Z-D3</b>
Ordering code	SS101-5ZA3 SS101-5ZA4 SS101-3ZD3	SS201-5ZA3 SS201-5ZA4 SS201-3ZD3	SS301-5ZA3 SS301-5ZA4 SS301-3ZD3	SS401-5ZA3 SS401-5ZA4 SS401-3ZD3	SS501-5ZA3 SS501-5ZA4 SS501-3ZD3
Rated thermal current(A) *	10	20	30	40	50
Control voltage	A3 : 100V-120V AC, A4 : 200-240V AC, D3 : 5-24V DC				

Type	<b>SS701-1Z-A3</b> <b>SS701-1Z-A4</b> <b>SS701-3Z-D3</b>	<b>SS1001-1Z-A3</b> <b>SS1001-1Z-A4</b> <b>SS1001-3Z-D3</b>	<b>SS1501-1Z-A3</b> <b>SS1501-1Z-A4</b> <b>SS1501-3Z-D3</b>	<b>SS2001-1Z-A3</b> <b>SS2001-1Z-A4</b> <b>SS2001-3Z-D3</b>
Ordering code	SS701-1ZA3 SS701-1ZA4 SS701-3ZD3	SS1A1-1ZA3 SS1A1-1ZA4 SS1A1-3ZD3	SS1F1-1ZA3 SS1F1-1ZA4 SS1F1-3ZD3	SS1A1-1ZA3 SS1A1-1ZA4 SS1A1-3ZD3
Rated thermal current(A) *	70	100	150	200
Control voltage	A3 : 100V-120V AC, A4 : 200-240V AC, D3 : 5-24V DC			

● **Main circuit 480V AC, SS701H to SS2001H**

Type	<b>SS701H-1Z-A3</b> <b>SS701H-1Z-A4</b> <b>SS701H-3Z-D3</b>	<b>SS1001H-1Z-A3</b> <b>SS1001H-1Z-A4</b> <b>SS1001H-3Z-D3</b>	<b>SS1501H-1Z-A3</b> <b>SS1501H-1Z-A4</b> <b>SS1501H-3Z-D3</b>	<b>SS2001H-1Z-A3</b> <b>SS2001H-1Z-A4</b> <b>SS2001H-3Z-D3</b>
Ordering code	SS701H-1ZA3 SS701H-1ZA4 SS701H-3ZD3	SS1A1H-1ZA3 SS1A1H-1ZA4 SS1A1H-3ZD3	SS1F1H-1ZA3 SS1F1H-1ZA4 SS1F1H-3ZD3	SS1A1H-1ZA3 SS1A1H-1ZA4 SS1A1H-3ZD3
Rated thermal current(A) *	70	100	150	200
Control voltage	A3 : 100V-120V AC, A4 : 200-240V AC, D3 : 5-24V DC			

Note: \* The values are maximum ratings that apply at an ambient temperature not exceeding 40°C.

**3-pole type**

● **Main circuit 240V AC**

Contactor 3-pole, 2-element		3-pole, 3-element		Cooling fin to be combined 3-pole, 2-element				Continuous current (A)	Motor ratings 3-phase 220V AC 60Hz	
Basic type	Basic ordering code	Basic type	Basic ordering code	Basic type	Basic ordering code	Basic type	Basic ordering code		Capacity (HP)	Full load current (A)
<b>SS032</b>	SS032	<b>SS033</b>	SS033	—	—	—	—	3	1/2	2
<b>SS082</b>	SS082	<b>SS083</b>	SS083	*	*	*	*	8	3/4	2.9
<b>SS202</b>	SS202	<b>SS203</b>	SS203	<b>SX1-D10</b>	SY1D0	<b>SX1-D10</b>	SY1D0	20	1 1/2	5.2
<b>SS302</b>	SS302	<b>SS303</b>	SS303	<b>SX1-D10</b>	SY1D0	<b>SX1-E12</b>	SY1E2	30	2	5.8
<b>SS402</b>	SS402	<b>SS403</b>	SS403	<b>SX1-D14</b>	SY1D4	<b>SX1-E12</b>	SY1E2	40	3	9.6
<b>SS502</b>	SS502	<b>SS503</b>	SS503	<b>SX1-E12</b>	SY1E2	<b>SX1-E17</b>	SY1E7	50	5	15.2
<b>SS802</b>	SS802	<b>SS803</b>	SS803	<b>SX1-C12</b>	SY1C2	<b>SX1-C12</b>	SY1C2	80	10	28
<b>SS1202</b>	SS1C2	<b>SS1203</b>	SS1C3	<b>SX1-C12</b>	SY1C2	<b>SX1-C12</b>	SY1C2	120	10	28

Note: \* Cooling fin provided

● **Main circuit 480V AC**

Contactor 3-pole, 2-element		3-pole, 3-element		Cooling fin to be combined 3-pole, 2-element				Continuous current (A)	Motor ratings 3-phase 440V AC 60Hz	
Basic type	Basic ordering code	Basic type	Basic ordering code	Basic type	Basic ordering code	Basic type	Basic ordering code		Capacity (HP)	Full load current (A)
<b>SS302H</b>	SS302H	<b>SS303H</b>	SS303H	<b>SX1-E12</b>	SY1E2	<b>SX1-E12</b>	SY1E2	30	—	—
<b>SS502H</b>	SS502H	<b>SS503H</b>	SS503H	<b>SX1-E12</b>	SY1E2	<b>SX1-E17</b>	SY1E7	50	10	17
<b>SS802H</b>	SS802H	<b>SS803H</b>	SS803H	<b>SX1-C12</b>	SY1C2	<b>SX1-C12</b>	SY1C2	80	20	32.5
<b>SS1202H</b>	SS1C2H	<b>SS1203H</b>	SS1C3H	<b>SX1-C12</b>	SY1C2	<b>SX1-C12</b>	SY1C2	120	20	32.5

● **Input voltage**

100–120/200–240V AC  
100–120V AC  
200–240V AC  
12/24V DC  
12–24V DC  
5V DC  
5–24V DC

Note: For details, see page 01/128.

# Magnetic Contactors and Starters

## TÜV approved

### Solid-state contactors SS series

#### Single pole type

#### ● Main circuit 240V AC, SS101 to SS2001

Type	SS101-5Z-A3 SS101-5Z-A4 SS101-3Z-D3	SS201-5Z-A3 SS201-5Z-A4 SS201-3Z-D3	SS301-5Z-A3 SS301-5Z-A4 SS301-3Z-D3	SS401-5Z-A3 SS401-5Z-A4 SS401-3Z-D3	SS501-5Z-A3 SS501-5Z-A4 SS501-3Z-D3
Ordering code	SS101-5ZA3 SS101-5ZA4 SS101-3ZD3	SS201-5ZA3 SS201-5ZA4 SS201-3ZD3	SS301-5ZA3 SS301-5ZA4 SS301-3ZD3	SS401-5ZA3 SS401-5ZA4 SS401-3ZD3	SS501-5ZA3 SS501-5ZA4 SS501-3ZD3
Rated thermal current(A) *	10	20	30	40	50
Control voltage	A3 : 100V-120V AC, A4 : 200-240V AC, D3 : 5-24V DC				

Type	SS701-1Z-A3 SS701-1Z-A4 SS701-3Z-D3	SS1001-1Z-A3 SS1001-1Z-A4 SS1001-3Z-D3	SS1501-1Z-A3 SS1501-1Z-A4 SS1501-3Z-D3	SS2001-1Z-A3 SS2001-1Z-A4 SS2001-3Z-D3	
Ordering code	SS701-1ZA3 SS701-1ZA4 SS701-3ZD3	SS1A1-1ZA3 SS1A1-1ZA4 SS1A1-3ZD3	SS1F1-1ZA3 SS1F1-1ZA4 SS1F1-3ZD3	SS1A1-1ZA3 SS1A1-1ZA4 SS1A1-3ZD3	
Rated thermal current(A) *	70	100	150	200	
Control voltage	A3 : 100V-120V AC, A4 : 200-240V AC, D3 : 5-24V DC				

#### ● Main circuit 480V AC, SS701H to SS2001H

Type	SS701H-1Z-A3 SS701H-1Z-A4 SS701H-3Z-D3	SS1001H-1Z-A3 SS1001H-1Z-A4 SS1001H-3Z-D3	SS1501H-1Z-A3 SS1501H-1Z-A4 SS1501H-3Z-D3	SS2001H-1Z-A3 SS2001H-1Z-A4 SS2001H-3Z-D3	
Ordering code	SS701H-1ZA3 SS701H-1ZA4 SS701H-3ZD3	SS1A1H-1ZA3 SS1A1H-1ZA4 SS1A1H-3ZD3	SS1F1H-1ZA3 SS1F1H-1ZA4 SS1F1H-3ZD3	SS1A1H-1ZA3 SS1A1H-1ZA4 SS1A1H-3ZD3	
Rated thermal current(A) *	70	100	150	200	
Control voltage	A3 : 100V-120V AC, A4 : 200-240V AC, D3 : 5-24V DC				

Note: \* The values are maximum ratings that apply at an ambient temperature not exceeding 40°C.

**3-pole type**

● **Main circuit 240V AC**

Contactor				Cooling fin to be combined				Continuous current (A)	Motor ratings	
3-pole, 2-element		3-pole, 3-element		3-pole, 2-element		3-pole, 3-element			3-phase 220V AC 60Hz Capacity (HP)	Full load current (A)
Basic type	Basic ordering code	Basic type	Basic ordering code	Basic type	Basic ordering code	Basic type	Basic ordering code			
<b>SS032</b>	SS032	<b>SS033</b>	SS033	–	–	–	–	3	0.5	1.8
<b>SS082</b>	SS082	<b>SS083</b>	SS083	*	*	*	*	8	0.75	3.2
<b>SS202</b>	SS202	<b>SS203</b>	SS203	<b>SX1-D10</b>	SY1D0	<b>SX1-D10</b>	SY1D0	20	1.5	8
<b>SS302</b>	SS302	<b>SS303</b>	SS303	<b>SX1-D10</b>	SY1D0	<b>SX1-E12</b>	SY1E2	30	2	11
<b>SS402</b>	SS402	<b>SS403</b>	SS403	<b>SX1-D14</b>	SY1D4	<b>SX1-E12</b>	SY1E2	40	3	17.4
<b>SS502</b>	SS502	<b>SS503</b>	SS503	<b>SX1-E12</b>	SY1E2	<b>SX1-E17</b>	SY1E7	50	5	26
<b>SS802</b>	SS802	<b>SS803</b>	SS803	<b>SX1-C12</b>	SY1C2	<b>SX1-C12</b>	SY1C2	80	10	34
<b>SS1202</b>	SS1C2	<b>SS1203</b>	SS1C3	<b>SX1-C12</b>	SY1C2	<b>SX1-C12</b>	SY1C2	120	10	34

Note: \* Cooling fin provided

● **Main circuit 480V AC**

Contactor				Cooling fin to be combined				Continuous current (A)	Motor ratings	
3-pole, 2-element		3-pole, 3-element		3-pole, 2-element		3-pole, 3-element			3-phase 440V AC 60Hz Capacity (HP)	Full load current (A)
Basic type	Basic ordering code	Basic type	Basic ordering code	Basic type	Basic ordering code	Basic type	Basic ordering code			
<b>SS302H</b>	SS302H	<b>SS303H</b>	SS303H	<b>SX1-E12</b>	SY1E2	<b>SX1-E12</b>	SY1E2	30	–	–
<b>SS502H</b>	SS502H	<b>SS503H</b>	SS503H	<b>SX1-E12</b>	SY1E2	<b>SX1-E17</b>	SY1E7	50	10	24
<b>SS802H</b>	SS802H	<b>SS803H</b>	SS803H	<b>SX1-C12</b>	SY1C2	<b>SX1-C12</b>	SY1C2	80	20	48
<b>SS1202H</b>	SS1C2H	<b>SS1203H</b>	SS1C3H	<b>SX1-C12</b>	SY1C2	<b>SX1-C12</b>	SY1C2	120	20	48

● **Input voltage**

100–120/200–240V AC  
100–120V AC  
200–240V AC

5–12V DC  
12–24V DC  
5V DC

12/24V DC  
5–24V DC

100–110/200–220V AC/DC  
12/24V AC/DC

Note: For details, [see page 01/127](#).